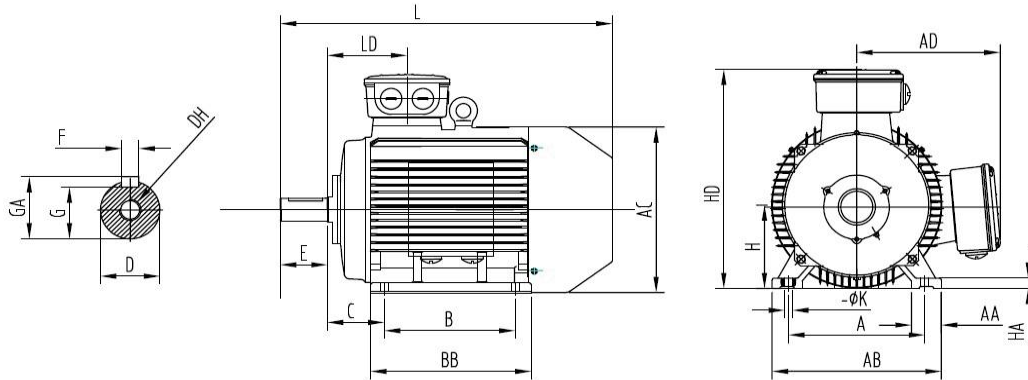


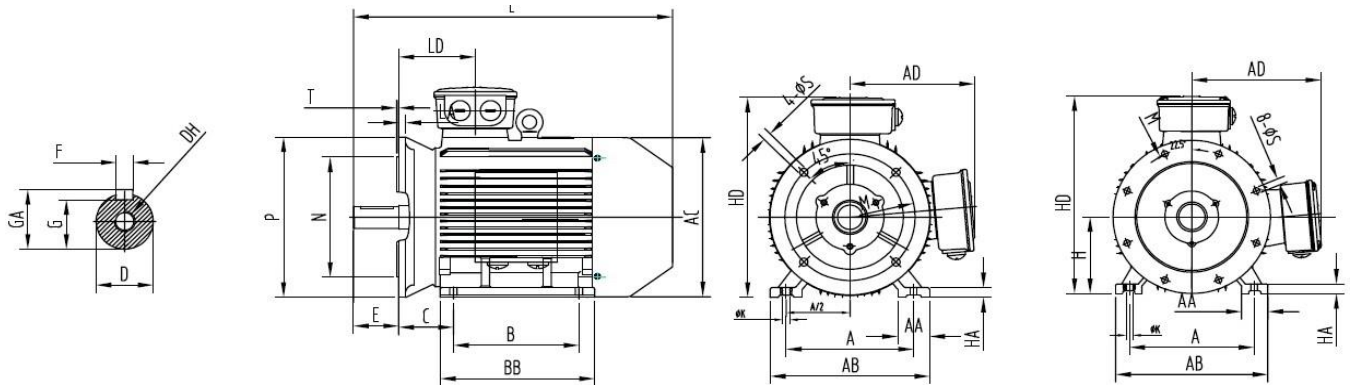
Three-phase motors Aluminium housing

Type		SA3 100L6-405 AA
Design output	[kW]	1.5
Design torque	[Nm]	15.2
Class IE		IE3-82.5%
Efficiency determination		EN 60034-2-1
Duty type		S1
Design frequency	[Hz]	50
Design speed	[rpm]	940
Voltage	[V]	230/400
Connection		D / Y
Current	[A]	6.26 / 3.60
Relative pull-in current		6.5
Relative starting torque		2.2
Relative pull-out torque		2.8
Efficiency 100 / 75 / 50 %	[%]	82.5 / 82.0 / 80.8
Power factor		0.73
Th. cl.		155 (F/B)
Coolant temperature	[°C]	-20°C ... +40°C
Altitude above sea level	[m]	1000
Degree of protection IP		IP 55
Moment of inertia	[kgm ²]	0.00845
Motor weight	[kg]	24.0
Bearing D-side		6206 2RS/C3
Bearing N-side		6206 2RS/C3
Relubrication interval	[h]	-
Grease type		-
Grease amount	[g]	-
A-sound pressure level L _{WA}	[dB]	70.0
Options:		
Terminal box		Standard
Position of terminal box		On the top
Cable gland		Brass cable glands
Position of cable entry		Right
Shaft		Standard
Bearing		Easy bearing arrangement
Special information about the bearing		SKF bearing
Winding protection		-
Limit values to vibration velocity		Class A
Balancing		with half key
Colour		RAL 7030
Delivery conditions and/or official regulations		IEC / EN 60034-1

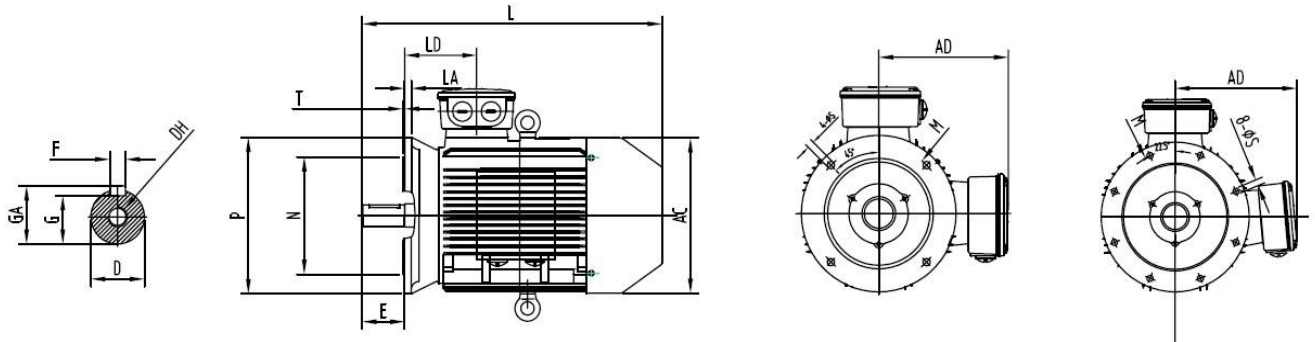
IM B3



IM B35



IM B5

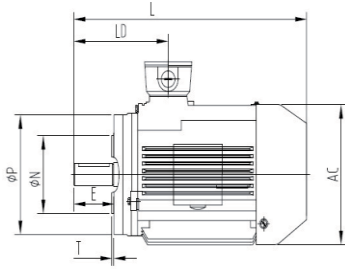


A	B	B ¹	C	D	E	F	G	H	K	DH	GA	AA	AB
160	140	-	63	28	60	8	24	100	12	M10x22	31	50	196

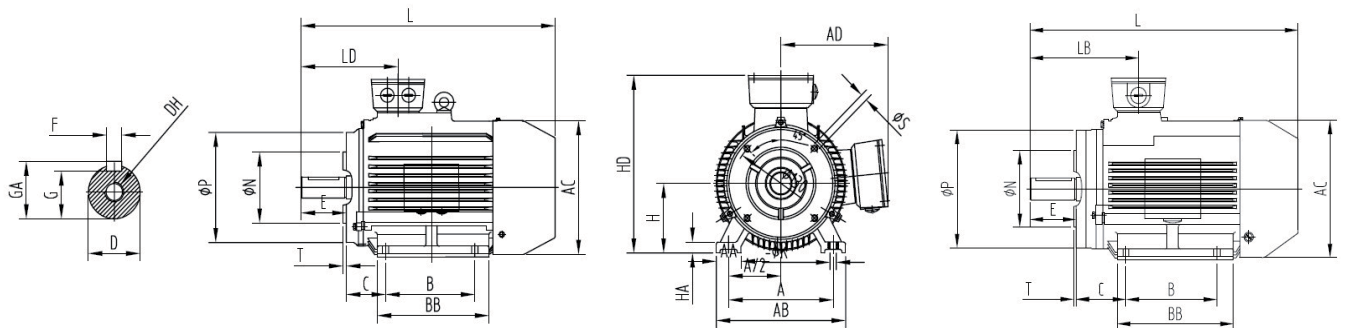
AC	AD	HA	HD	BB	LD	L	M	N	P	S	T	LA
197	152	14	252	176	83.5	390	215	180	250	4 x ϕ 14.5	4	13

Data sheet

IM B14



IM B34



A	B	B ¹	C	D	E	F	G	H	K	DH	GA	AA	AB
160	140	-	63	28	60	8	24	100	12	M10x22	31	50	196

	AC	AD	HA	HD	BB	LD	L	M	N	P	S	T	LA
B14C	197	151	14	252	176	83.5	390	160	110	160	4 x M8	3.5	13
B14B	197	152	14	252	176	83.5	390	165	130	200	4 x M10	3.5	13