

## Three-phase motors Aluminium housing

Type		SA3 90L4-405 AA
Design output	[kW]	1.5
Design torque	[Nm]	10.2
Class IE		IE3-85.3%
Efficiency determination		EN 60034-2-1
Duty type		S1
Design frequency	[Hz]	50
Design speed	[rpm]	1400
Voltage	[V]	230/400
Connection		D / Y
Current	[A]	5.74 / 3.30
Relative pull-in current		7.0
Relative starting torque		2.8
Relative pull-out torque		3.5
Efficiency 100 / 75 / 50 %	[%]	85.3 / 85.0 / 84.1
Power factor		0.77
Th. cl.		155 (F/B)
Coolant temperature	[°C]	-20°C ... +40°C
Altitude above sea level	[m]	1000
Degree of protection IP		IP 55
Moment of inertia	[kgm <sup>2</sup> ]	0.00307
Motor weight	[kg]	17.0
Bearing D-side		6205 2RS/C3
Bearing N-side		6205 2RS/C3
Relubrication interval	[h]	-
Grease type		-
Grease amount	[g]	-
A-sound pressure level L <sub>WA</sub>	[dB]	70.0

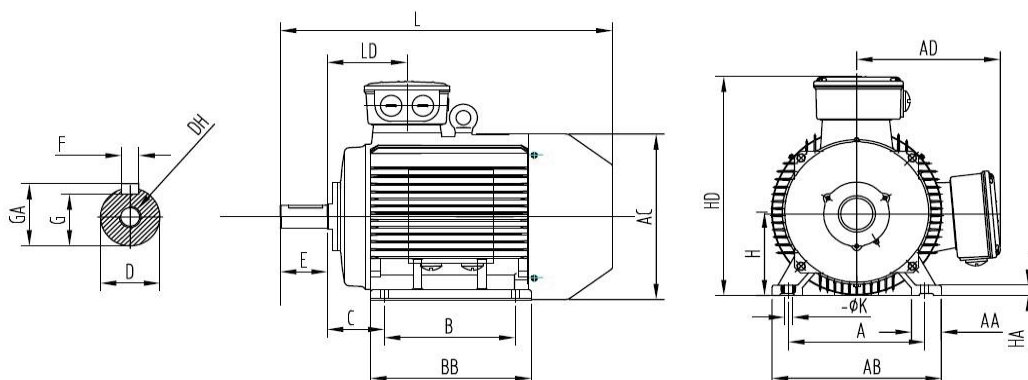
### Options:

Terminal box	Standard
Position of terminal box	On the top
Cable gland	Brass cable glands
Position of cable entry	Right
Shaft	Standard
Bearing	Easy bearing arrangement
Special information about the bearing	SKF bearing
Winding protection	-
Limit values to vibration velocity	Class A
Balancing	with half key
Colour	RAL 7030

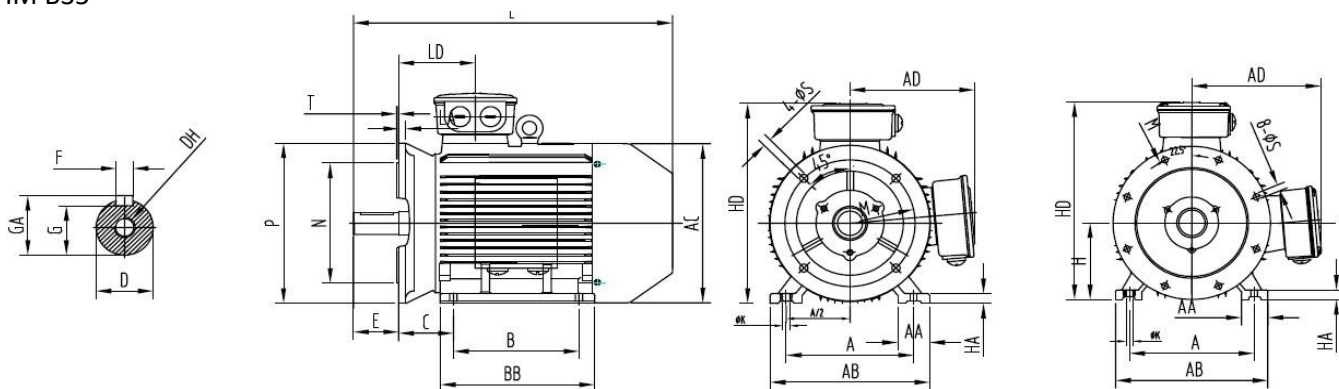
Delivery conditions and/or official regulations	IEC / EN 60034-1
---	------------------

# Data sheet

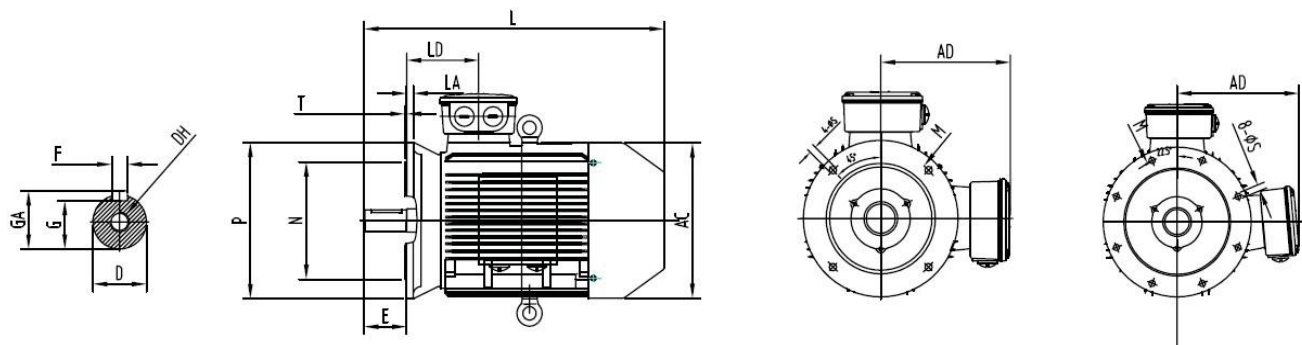
## IM B3



## IM B35



## IM B5



A	B	B <sup>1</sup>	C	D	E	F	G	H	K	DH	GA	AA	AB
140	125	-	56	24	50	8	20	90	10	M8x19	27	45	175

AC	AD	HA	HD	BB	LD	L	M	N	P	S	T	LA
174.5	143.5	12	233.5	155	83.5	375	165	130	200	4 x ø12	3.5	12

# Data sheet

## IM B14



## IM B34



A	B	B <sup>1</sup>	C	D	E	F	G	H	K	DH	GA	AA	AB
140	125	-	56	24	50	8	20	90	10	M8x19	27	45	175

	AC	AD	HA	HD	BB	LD	L	M	N	P	S	T	LA
B14C	174.5	143.5	12	233.5	155	83.5	375	115	95	140	4 x M8	3	12
B14B	174.5	143.5	12	233.5	155	83.5	375	130	110	160	4 x M8	3.5	12