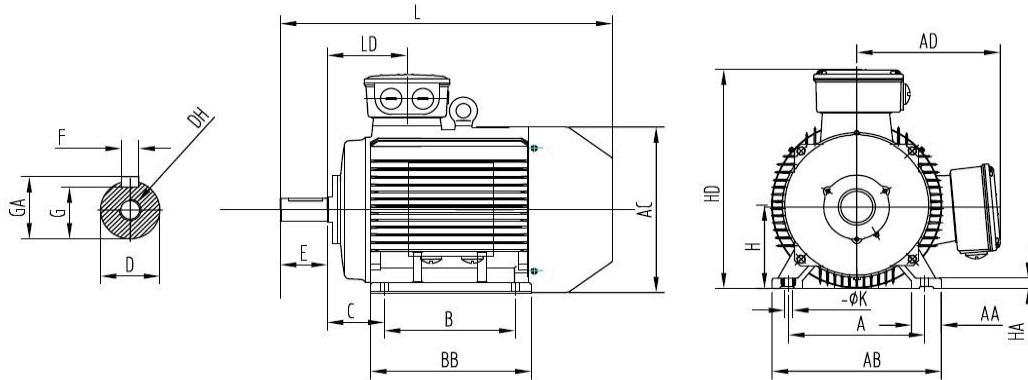


## Three-phase motors Aluminium housing

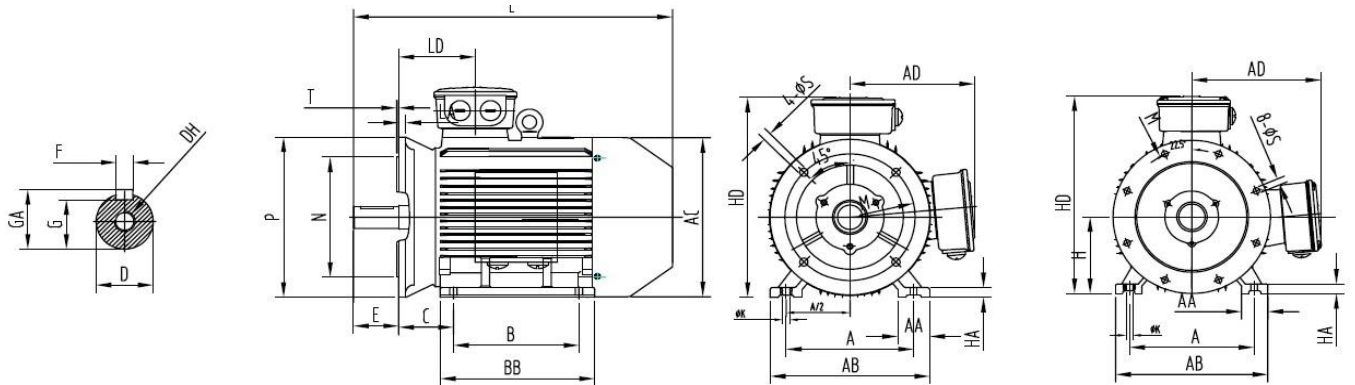
Type		SA3 90S2-405 AA
Design output	[kW]	1.5
Design torque	[Nm]	5.0
Class IE		IE3-84.2%
Efficiency determination		EN 60034-2-1
Duty type		S1
Design frequency	[Hz]	50
Design speed	[rpm]	2840
Voltage	[V]	230/400
Connection		D / Y
Current	[A]	5.32 / 3.06
Relative pull-in current		7.6
Relative starting torque		3.3
Relative pull-out torque		3.9
Efficiency 100 / 75 / 50 %	[%]	84.2 / 83.7 / 82.7
Power factor		0.84
Th. cl.		155 (F/B)
Coolant temperature	[°C]	-20°C ... +40°C
Altitude above sea level	[m]	1000
Degree of protection IP		IP 55
Moment of inertia	[kgm <sup>2</sup> ]	0.00156
Motor weight	[kg]	13.3
Bearing D-side		6205 2RS/C3
Bearing N-side		6205 2RS/C3
Relubrication interval	[h]	-
Grease type		-
Grease amount	[g]	-
A-sound pressure level L <sub>WA</sub>	[dB]	77.0
<b>Options:</b>		
Terminal box		Standard
Position of terminal box		On the top
Cable gland		Brass cable glands
Position of cable entry		Right
Shaft		Standard
Bearing		Easy bearing arrangement
Special information about the bearing		SKF bearing
Winding protection		-
Limit values to vibration velocity		Class A
Balancing		with half key
Colour		RAL 7030
Delivery conditions and/or official regulations		IEC / EN 60034-1

# Data sheet

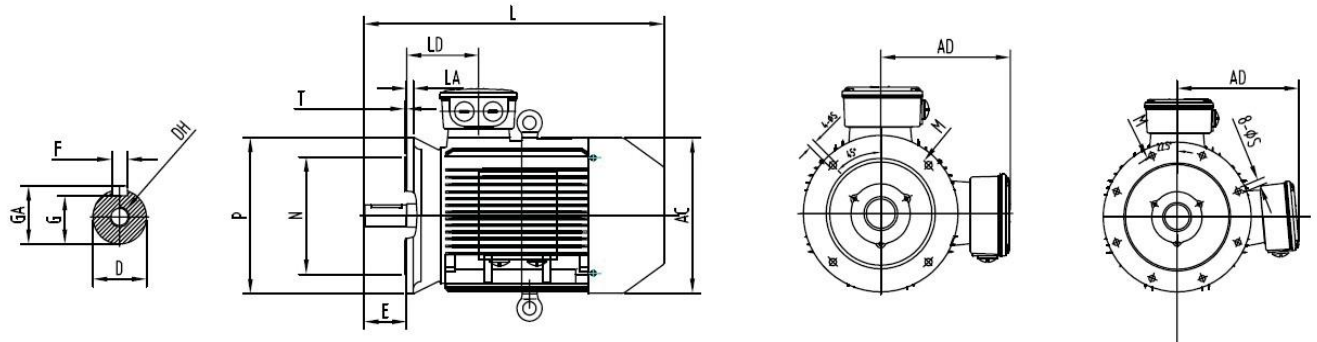
## IM B3



## IM B35



## IM B5

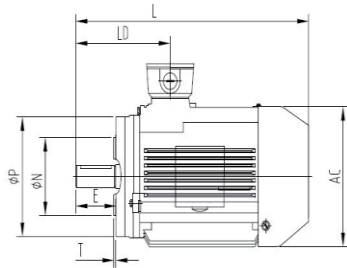


A	B	B <sup>1</sup>	C	D	E	F	G	H	K	DH	GA	AA	AB
140	100	-	56	24	50	8	20	90	10	M8x19	27	45	175

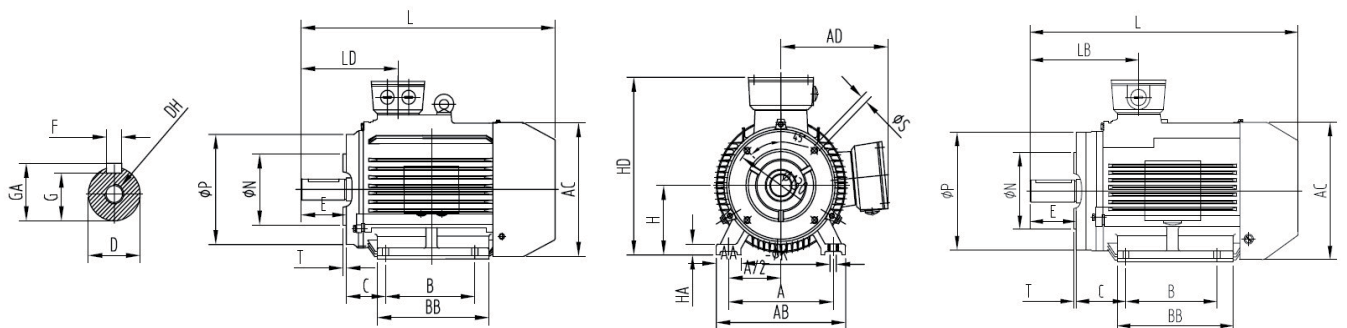
AC	AD	HA	HD	BB	LD	L	M	N	P	S	T	LA
174.5	143.5	12	233.5	155	83.5	345	165	130	200	4 x $\phi$ 12	3.5	12

# Data sheet

## IM B14



## IM B34



A	B	B <sup>1</sup>	C	D	E	F	G	H	K	DH	GA	AA	AB
140	100	-	56	24	50	8	20	90	10	M8x19	27	45	175

	AC	AD	HA	HD	BB	LD	L	M	N	P	S	T	LA
B14C	174.5	143.5	12	233.5	155	83.5	345	115	95	140	4 x M8	3	12
B14B	174.5	143.5	12	233.5	155	83.5	345	130	110	160	4 x M8	3.5	12