

Three-phase motors Cast iron housing

Type		SC3 200LA2-695 AB
Design output	[kW]	30
Design torque	[Nm]	97.1
Class IE		IE3-93.6%
Efficiency determination		EN 60034-2-1
Duty type		S1
Design frequency	[Hz]	50
Design speed	[rpm]	2950
Voltage	[V]	400/690
Connection		D / Y
Current	[A]	54.7 / 31.7
Relative pull-in current		7.8
Relative starting torque		2.6
Relative pull-out torque		3.5
Efficiency 100 / 75 / 50 %	[%]	93.6 / 93.1 / 92.8
Power factor		0.91
Th. cl.		155 (F/B)
Coolant temperature	[°C]	-20°C ... +40°C
Altitude above sea level	[m]	1000
Degree of protection IP		IP 55
Moment of inertia	[kgm ²]	0.11900
Motor weight	[kg]	255
Bearing D-side		6312 2RS/C3
Bearing N-side		6312 2RS/C3
Relubrication interval	[h]	-
Grease type		-
Grease amount	[g]	-
A-sound pressure level L _{WA}	[dB]	88.0

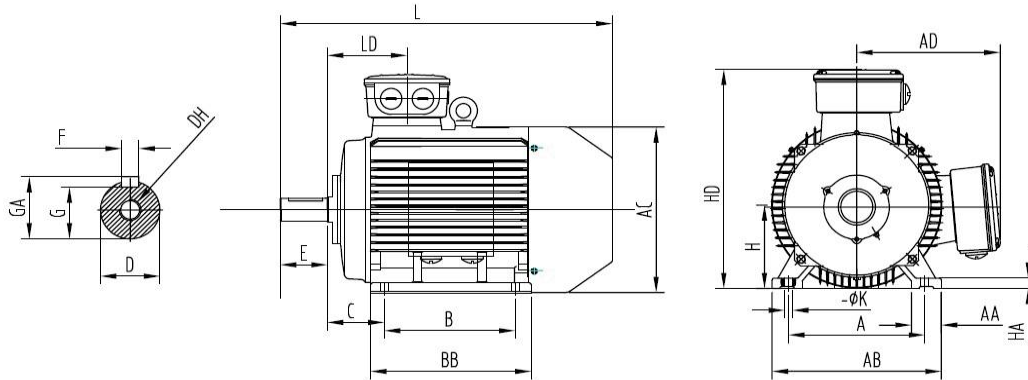
Options:

Terminal box	Standard
Position of terminal box	On the top
Cable gland	Brass cable glands
Position of cable entry	Right
Shaft	Standard
Bearing	Easy bearing arrangement
Special information about the bearing	SKF bearing
Winding protection	1 set PTC resistors
Limit values to vibration velocity	Class A
Balancing	with half key
Colour	RAL 7030

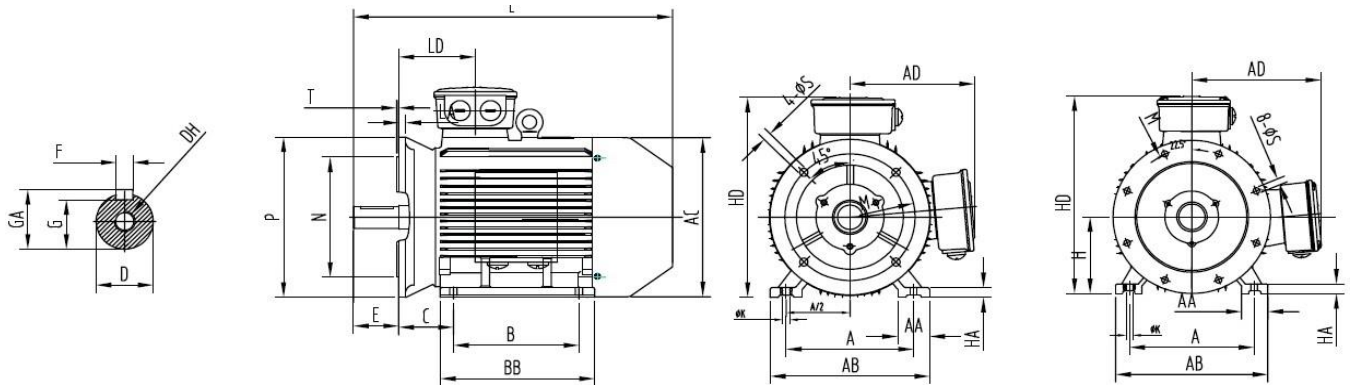
Delivery conditions and/or official regulations	IEC / EN 60034-1
---	------------------

Data sheet

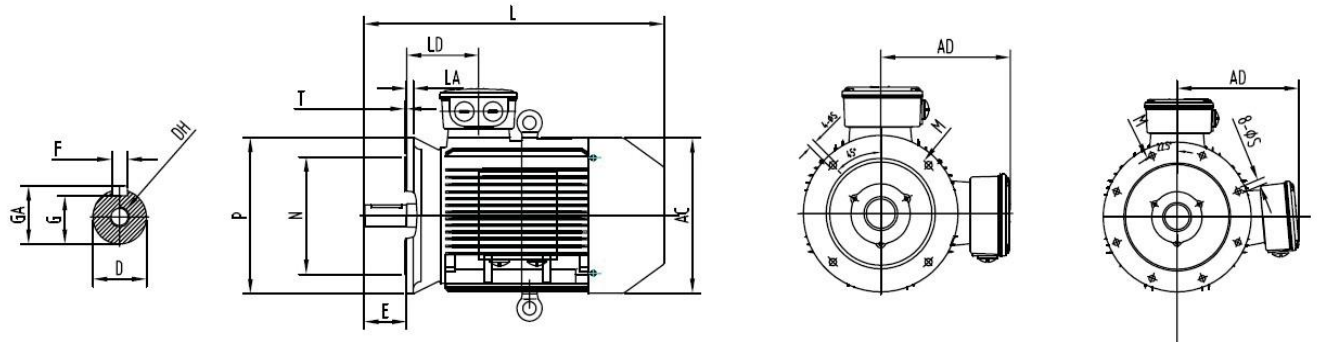
IM B3



IM B35



IM B5



A	B	B ¹	C	D	E	F	G	H	K	DH	GA	AA	AB
318	267	305	133	55	110	16	49	200	19	M20x42	59	70	395

AC	AD	HA	HD	BB	LD	L	M	N	P	S	T	LA
420	335	25	525	375	186	778	350	300	400	4 x ø18.5	5	17