

## Three-phase motors Cast iron housing

Type		SC2 355MB6-695 AB
Design output	[kW]	200
Design torque	[Nm]	1923
Class IE		IE2-95.3%
Efficiency determination		EN 60034-2-1
Duty type		S1
Design frequency	[Hz]	50
Design speed	[rpm]	990
Voltage	[V]	400/690
Connection		D / Y
Current	[A]	334.0 / 193.6
Relative pull-in current		7.0
Relative starting torque		1.7
Relative pull-out torque		3.4
Efficiency 100 / 75 / 50 %	[%]	95.3 / 95.2 / 94.6
Power factor		0.91
Th. cl.		155 (F/B)
Coolant temperature	[°C]	-20°C ... +40°C
Altitude above sea level	[m]	1000
Degree of protection IP		IP 55
Moment of inertia	[kgm <sup>2</sup> ]	10.7620
Motor weight	[kg]	1870
Bearing D-side		NU322E/C3
Bearing N-side		6322/C3
Relubrication interval	[h]	3000 / 6500
Grease type		ESSO BEACON 3 / SKF LGMT3
Grease amount	[g]	60
A-sound pressure level L <sub>WA</sub>	[dB]	85.0

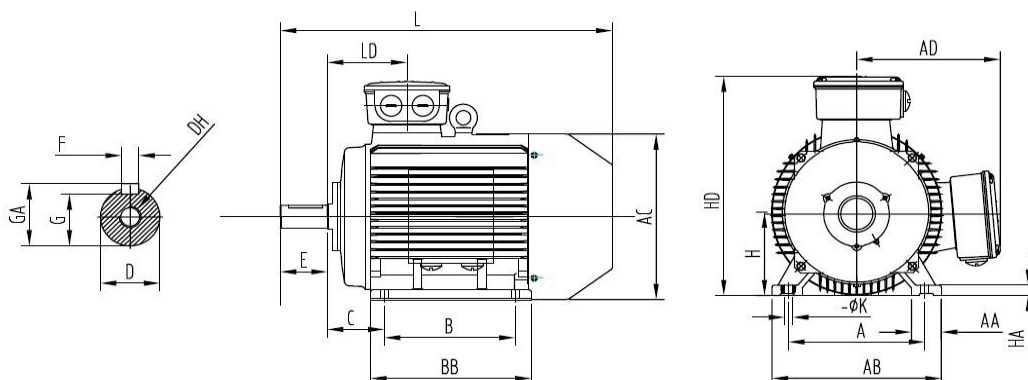
### Options:

Terminal box	Standard
Position of terminal box	On the top
Cable gland	Brass cable glands
Position of cable entry	Right
Shaft	Standard
Bearing	Relubrication device, heavy bearing arrangement
Special information about the bearing	SKF bearing
Winding protection	1 set PTC resistors
Limit values to vibration velocity	Class A
Balancing	with half key
Colour	RAL 7030

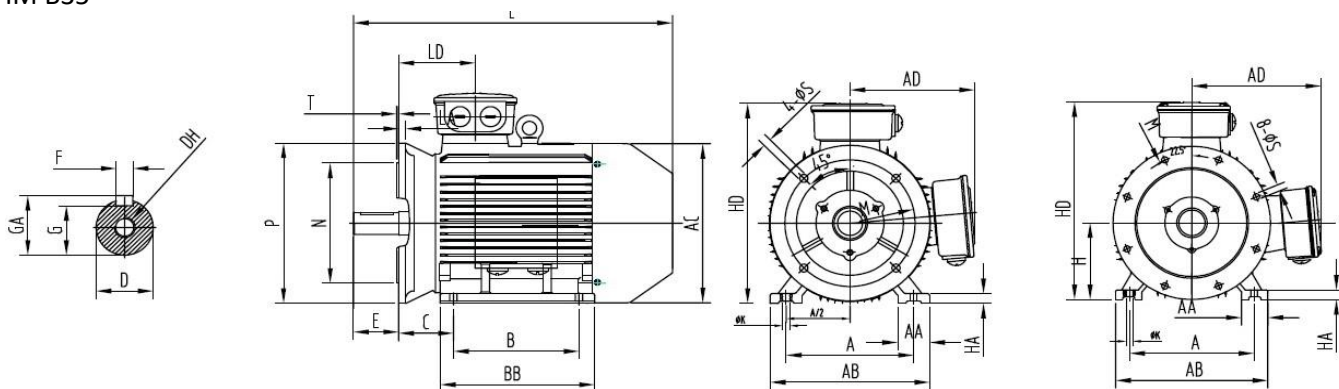
Delivery conditions and/or official regulations	IEC / EN 60034-1
---	------------------

# Data sheet

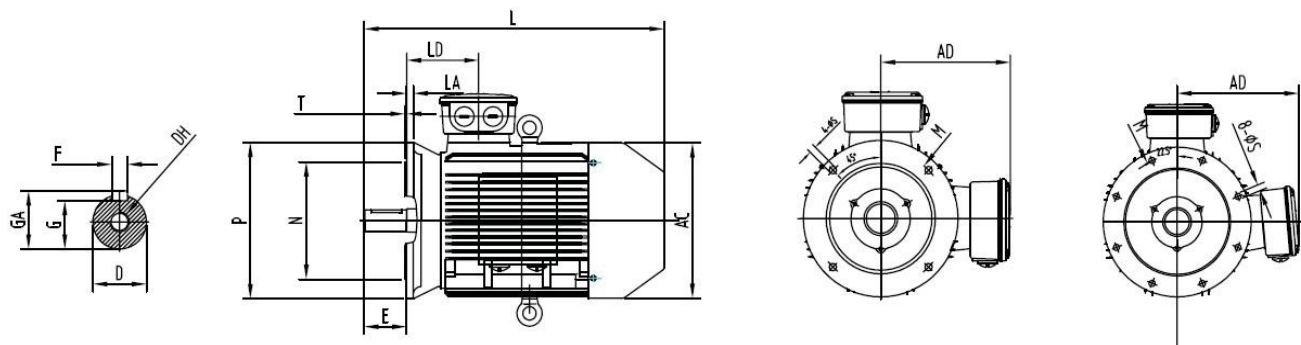
## IM B3



## IM B35



## IM B5



A	B	B <sup>1</sup>	C	D	E	F	G	H	K	DH	GA	AA	AB
610	560	630	254	95	170	25	86	355	28	M20x46	100	120	730

AC	AD	HA	HD	BB	LD	L	M	N	P	S	T	LA
720	700	52	1065	760	284	1525	740	680	800	8 x ø24	6	25