

## Three-phase motors Aluminium housing

Type		SA2 132MA6-695 AA
Design output	[kW]	4.0
Design torque	[Nm]	39.8
Class IE		IE2-84.6%
Efficiency determination		EN 60034-2-1
Duty type		S1
Design frequency	[Hz]	50
Design speed	[rpm]	960
Voltage	[V]	400/690
Connection		D / Y
Current	[A]	9.2 / 5.3
Relative pull-in current		6.6
Relative starting torque		2.1
Relative pull-out torque		3.2
Efficiency 100 / 75 / 50 %	[%]	84.6 / 84.0 / 83.0
Power factor		0.74
Th. cl.		155 (F/B)
Coolant temperature	[°C]	-20°C ... +40°C
Altitude above sea level	[m]	1000
Degree of protection IP		IP 55
Moment of inertia	[kgm <sup>2</sup> ]	0.03716
Motor weight	[kg]	47.0
Bearing D-side		6308 2RS/C3
Bearing N-side		6308 2RS/C3
Relubrication interval	[h]	-
Grease type		-
Grease amount	[g]	-
A-sound pressure level L <sub>WA</sub>	[dB]	78.0

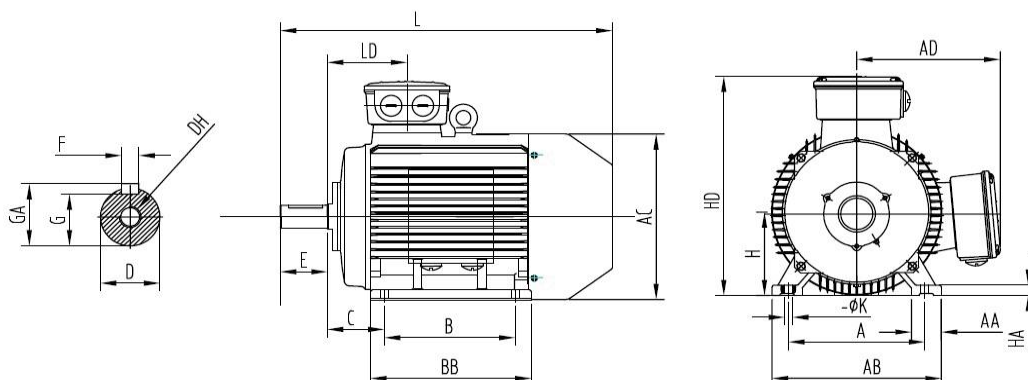
### Options:

Terminal box	Standard
Position of terminal box	On the top
Cable gland	Brass cable glands
Position of cable entry	Right
Shaft	Standard
Bearing	Easy bearing arrangement
Special information about the bearing	SKF bearing
Winding protection	-
Limit values to vibration velocity	Class A
Balancing	with half key
Colour	RAL 7030

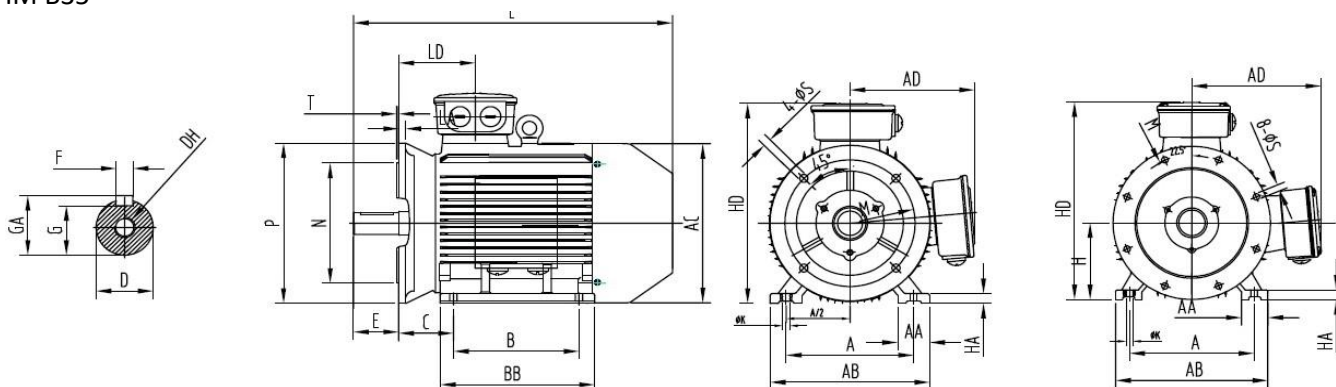
Delivery conditions and/or official regulations	IEC / EN 60034-1
---	------------------

# Data sheet

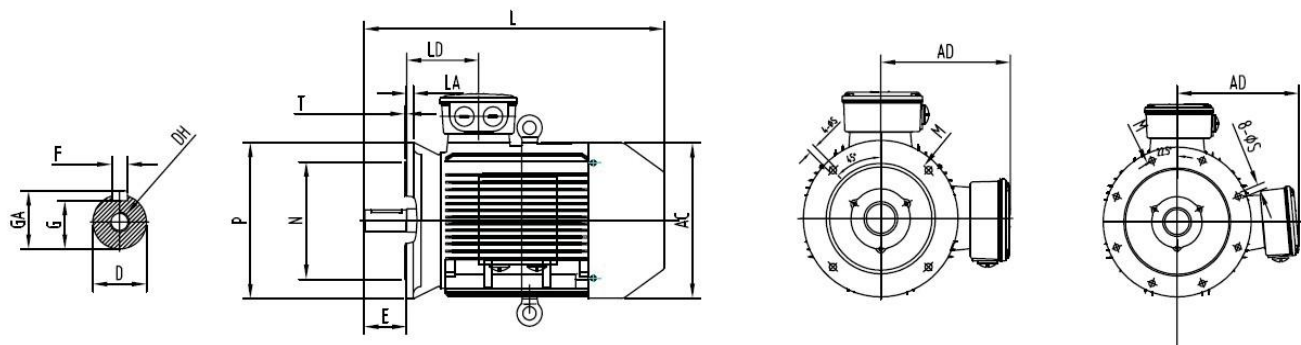
## IM B3



## IM B35



## IM B5

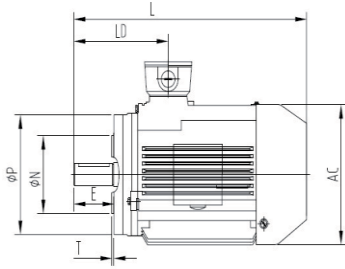


A	B	B <sup>1</sup>	C	D	E	F	G	H	K	DH	GA	AA	AB
216	178	-	89	38	80	10	33	132	15	M12x28	41	58	270

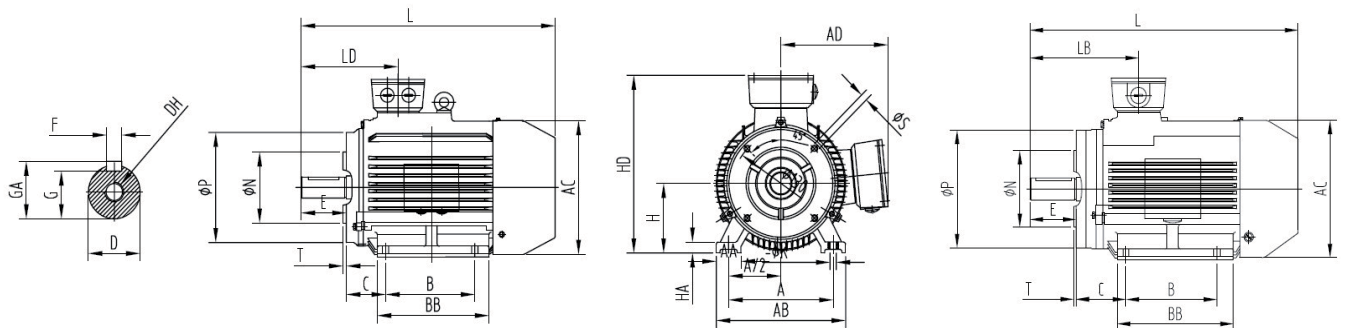
AC	AD	HA	HD	BB	LD	L	M	N	P	S	T	LA
265	193	16	325	214	94	475	265	230	300	4 x $\phi$ 14.5	4	-

# Data sheet

## IM B14



## IM B34



A	B	B <sup>1</sup>	C	D	E	F	G	H	K	DH	GA	AA	AB
216	178	-	89	38	80	10	33	132	15	M12x28	41	58	270

	AC	AD	HA	HD	BB	LD	L	M	N	P	S	T	LA
B14C	265	193	16	325	214	94	475	165	130	200	4 x M10	3.5	-
B14B	265	193	16	325	214	94	475	215	180	250	4 x M12	4	-