

## Three-phase motors Aluminium housing

Type		SA2 100LB4-405 AA
Design output	[kW]	3.0
Design torque	[Nm]	20.0
Class IE		IE2-85.5%
Efficiency determination		EN 60034-2-1
Duty type		S1
Design frequency	[Hz]	50
Design speed	[rpm]	1430
Voltage	[V]	230/400
Connection		D / Y
Current	[A]	11.0 / 6.3
Relative pull-in current		7.5
Relative starting torque		2.7
Relative pull-out torque		2.9
Efficiency 100 / 75 / 50 %	[%]	85.5 / 85.7 / 83.8
Power factor		0.81
Th. cl.		155 (F/B)
Coolant temperature	[°C]	-20°C ... +40°C
Altitude above sea level	[m]	1000
Degree of protection IP		IP 55
Moment of inertia	[kgm <sup>2</sup> ]	0.00779
Motor weight	[kg]	26.0
Bearing D-side		6206 2RS/C3
Bearing N-side		6206 2RS/C3
Relubrication interval	[h]	-
Grease type		-
Grease amount	[g]	-
A-sound pressure level L <sub>WA</sub>	[dB]	73.0

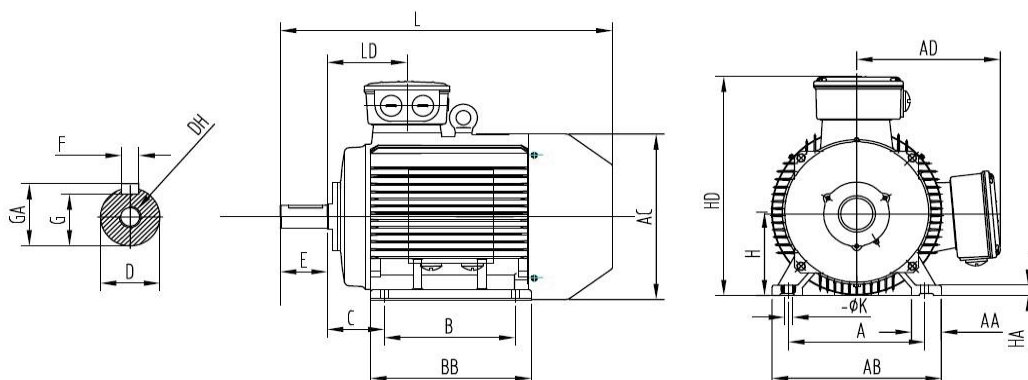
### Options:

Terminal box	Standard
Position of terminal box	On the top
Cable gland	Brass cable glands
Position of cable entry	Right
Shaft	Standard
Bearing	Easy bearing arrangement
Special information about the bearing	SKF bearing
Winding protection	-
Limit values to vibration velocity	Class A
Balancing	with half key
Colour	RAL 7030

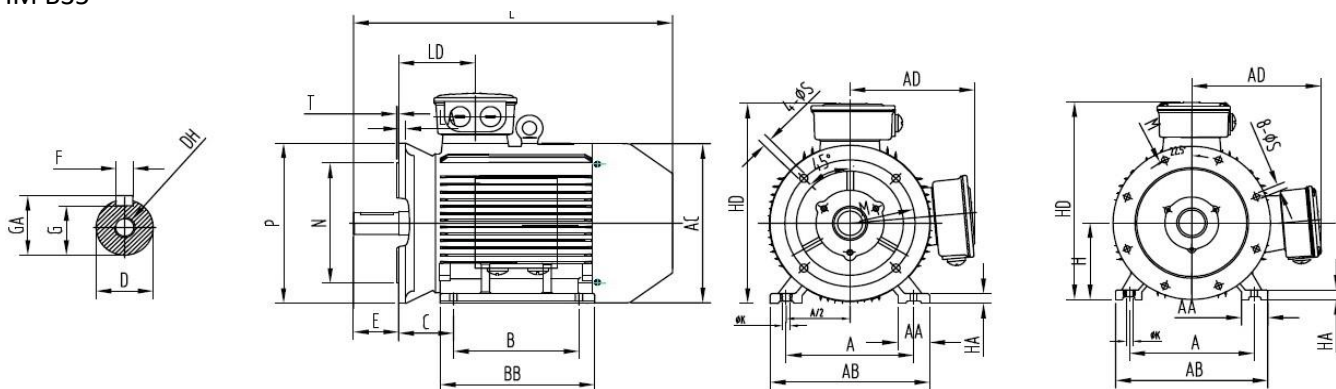
Delivery conditions and/or official regulations	IEC / EN 60034-1
---	------------------

# Data sheet

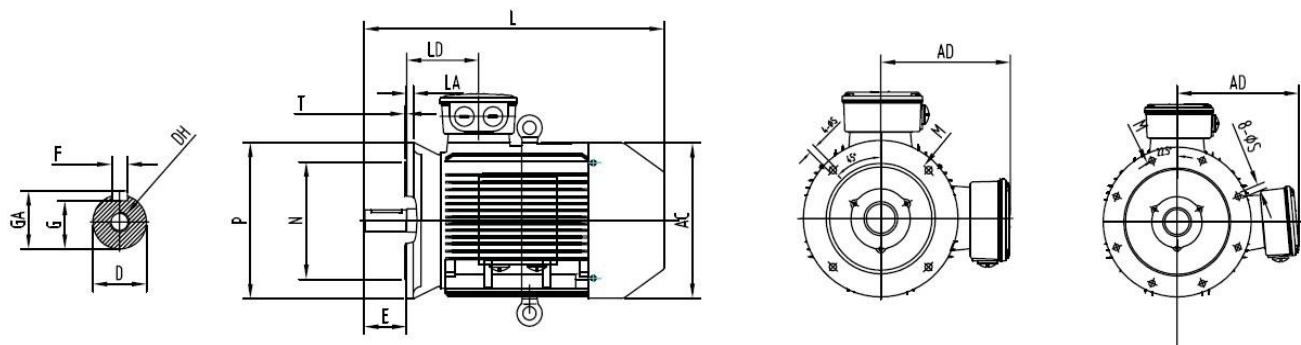
## IM B3



## IM B35



## IM B5



A	B	B <sup>1</sup>	C	D	E	F	G	H	K	DH	GA	AA	AB
160	140	-	63	28	60	8	24	100	12	M10x22	31	50	196

AC	AD	HA	HD	BB	LD	L	M	N	P	S	T	LA
197	152	14	252	176	83.5	386	215	180	250	4 x ø14.5	4	-

# Data sheet

## IM B14



## IM B34



A	B	B <sup>1</sup>	C	D	E	F	G	H	K	DH	GA	AA	AB
160	140	-	63	28	60	8	24	100	12	M10x22	31	50	196

	AC	AD	HA	HD	BB	LD	L	M	N	P	S	T	LA
B14C	197	151	14	252	176	83.5	386	160	110	160	4 x M8	3.5	-
B14B	197	152	14	252	176	83.5	386	165	130	200	4 x M10	3.5	-