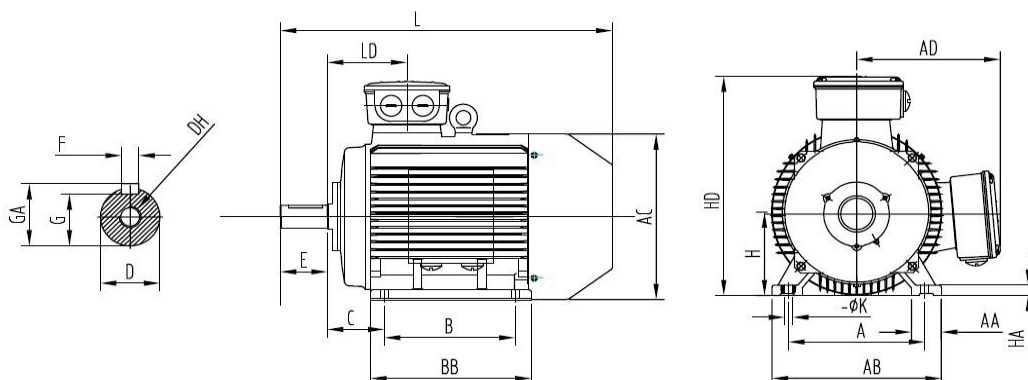


## Three-phase motors Aluminium housing

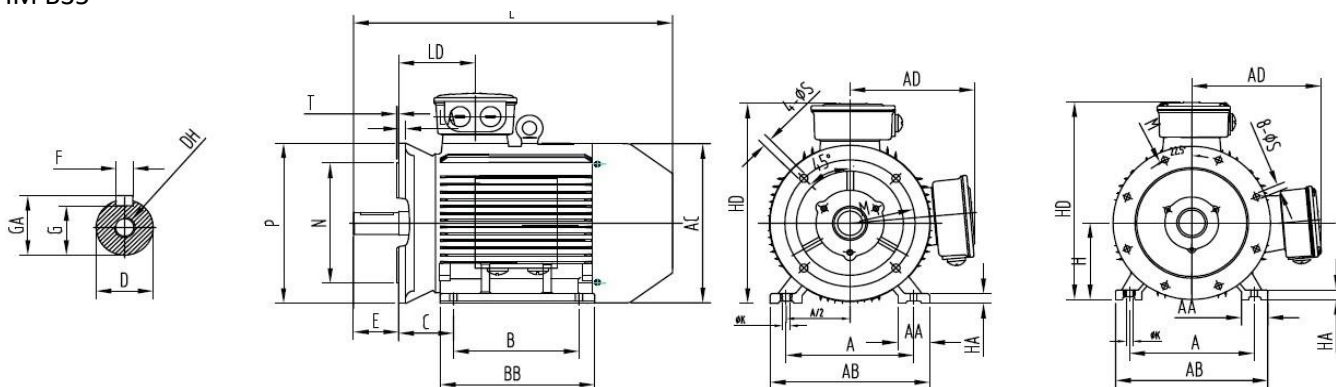
Type		SA2 63B2-405 AA
Design output	[kW]	0.25
Design torque	[Nm]	0.85
Class IE		IE2-64.8%
Efficiency determination		EN 60034-2-1
Duty type		S1
Design frequency	[Hz]	50
Design speed	[rpm]	2800
Voltage	[V]	230/400
Connection		D / Y
Current	[A]	1.2 / 0.7
Relative pull-in current		6.2
Relative starting torque		3.2
Relative pull-out torque		3.5
Efficiency 100 / 75 / 50 %	[%]	64.8 / 64.4 / 63.2
Power factor		0.81
Th. cl.		155 (F/B)
Coolant temperature	[°C]	-20°C ... +40°C
Altitude above sea level	[m]	1000
Degree of protection IP		IP 55
Moment of inertia	[kgm <sup>2</sup> ]	0.00061
Motor weight	[kg]	4.7
Bearing D-side		6201 2RS/C3
Bearing N-side		6201 2RS/C3
Relubrication interval	[h]	-
Grease type		-
Grease amount	[g]	-
A-sound pressure level L <sub>WA</sub>	[dB]	70.0
<b>Options:</b>		
Terminal box		Standard
Position of terminal box		On the top
Cable gland		Brass cable glands
Position of cable entry		Right
Shaft		Standard
Bearing		Easy bearing arrangement
Special information about the bearing		SKF bearing
Winding protection		-
Limit values to vibration velocity		Class A
Balancing		with half key
Colour		RAL 7030
Delivery conditions and/or official regulations		IEC / EN 60034-1

# Data sheet

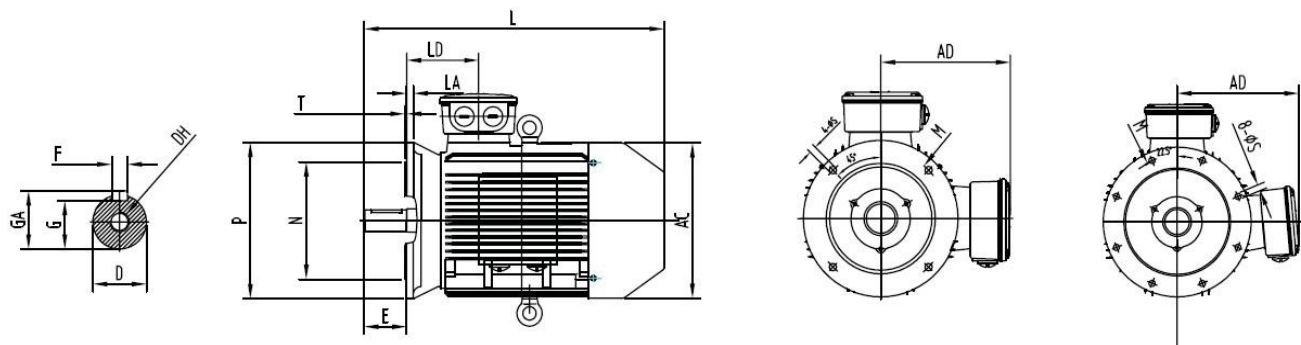
## IM B3



## IM B35



## IM B5

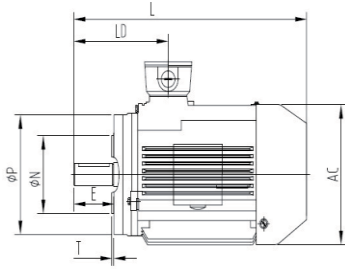


A	B	B <sup>1</sup>	C	D	E	F	G	H	K	DH	GA	AA	AB
100	80	-	40	11	23	4	8.5	63	7	M4x10	12.5	32	120

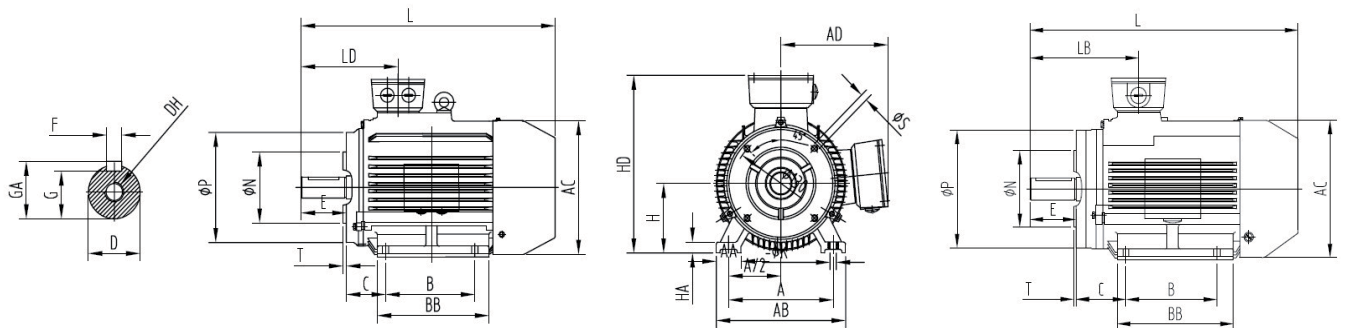
AC	AD	HA	HD	BB	LD	L	M	N	P	S	T	LA
125	110	7	173	103	62	215	115	95	140	4 x $\phi$ 10	3	-

# Data sheet

## IM B14



## IM B34



A	B	B <sup>1</sup>	C	D	E	F	G	H	K	DH	GA	AA	AB
100	80	-	40	11	23	4	8.5	63	7	M4x10	12.5	32	120

	AC	AD	HA	HD	BB	LD	L	M	N	P	S	T	LA
B14C	125	110	7	173	103	62	215	75	60	90	4 x M5	2.5	-
B14B	125	110	7	173	103	62	215	100	80	120	4 x M6	3	-