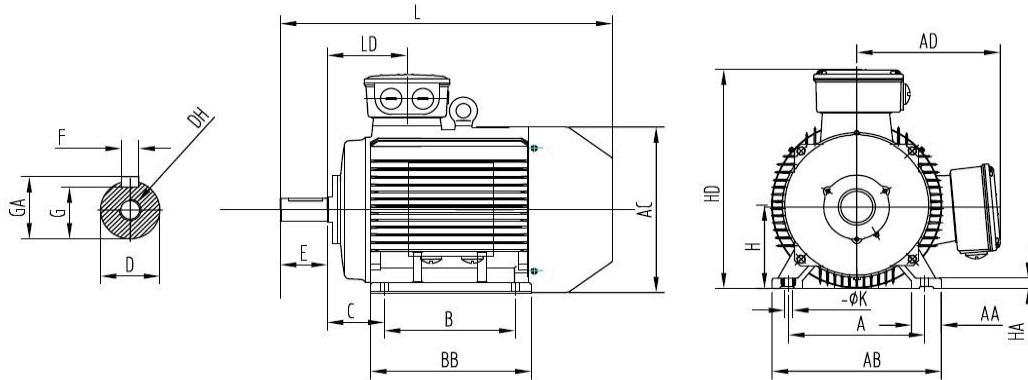


Three-phase motors Cast iron housing

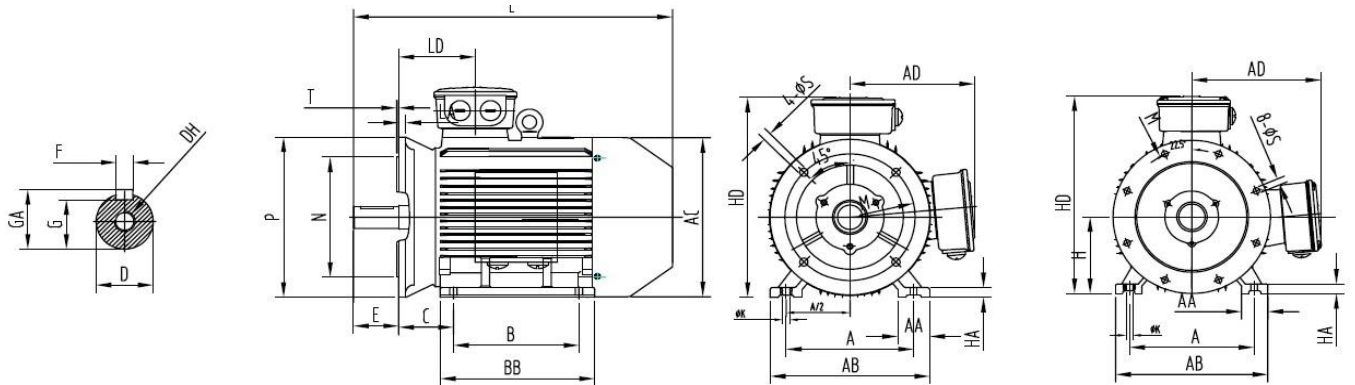
| | | |
|---|---------------------|--------------------------|
| Type | | SC2 160L2-695 AB |
| Design output | [kW] | 18.5 |
| Design torque | [Nm] | 60.2 |
| Class IE | | IE2-91.1% |
| Efficiency determination | | EN 60034-2-1 |
| Duty type | | S1 |
| Design frequency | [Hz] | 50 |
| Design speed | [rpm] | 2930 |
| Voltage | [V] | 400/690 |
| Connection | | D / Y |
| Current | [A] | 32.6 / 18.9 |
| Relative pull-in current | | 8.3 |
| Relative starting torque | | 2.8 |
| Relative pull-out torque | | 3.8 |
| Efficiency 100 / 75 / 50 % | [%] | 91.1 / 91.2 / 90.4 |
| Power factor | | 0.92 |
| Th. cl. | | 155 (F/B) |
| Coolant temperature | [°C] | -20°C ... +40°C |
| Altitude above sea level | [m] | 1000 |
| Degree of protection IP | | IP 55 |
| Moment of inertia | [kgm ²] | 0.05250 |
| Motor weight | [kg] | 138 |
| Bearing D-side | | 6309 2RS/C3 |
| Bearing N-side | | 6309 2RS/C3 |
| Relubrication interval | [h] | - |
| Grease type | | - |
| Grease amount | [g] | - |
| A-sound pressure level L _{WA} | [dB] | 84.0 |
| Options: | | |
| Terminal box | | Standard |
| Position of terminal box | | On the top |
| Cable gland | | Brass cable glands |
| Position of cable entry | | Right |
| Shaft | | Standard |
| Bearing | | Easy bearing arrangement |
| Special information about the bearing | | SKF bearing |
| Winding protection | | 1 set PTC resistors |
| Limit values to vibration velocity | | Class A |
| Balancing | | with half key |
| Colour | | RAL 7030 |
| Delivery conditions and/or official regulations | | IEC / EN 60034-1 |

Data sheet

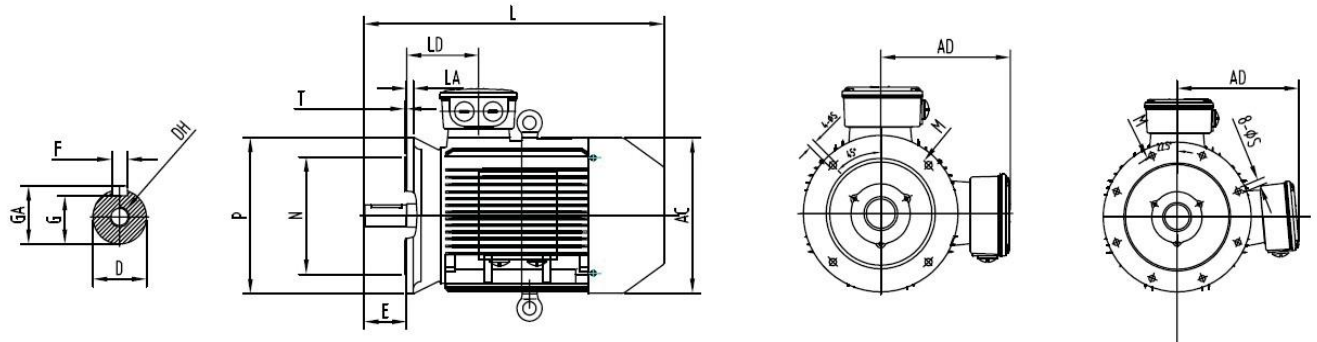
IM B3



IM B35



IM B5



| | | | | | | | | | | | | | |
|-----|-----|----------------|-----|----|-----|----|----|-----|----|--------|----|----|-----|
| A | B | B ¹ | C | D | E | F | G | H | K | DH | GA | AA | AB |
| 254 | 210 | 254 | 108 | 42 | 110 | 12 | 37 | 160 | 15 | M16x36 | 45 | 65 | 320 |

| | | | | | | | | | | | | |
|-----|-----|----|-----|-----|-----|-----|-----|-----|-----|-----------|---|----|
| AC | AD | HA | HD | BB | LD | L | M | N | P | S | T | LA |
| 330 | 285 | 20 | 440 | 304 | 149 | 652 | 300 | 250 | 350 | 4 x ø18.5 | 5 | 15 |